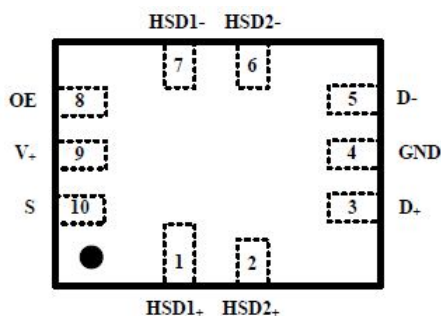
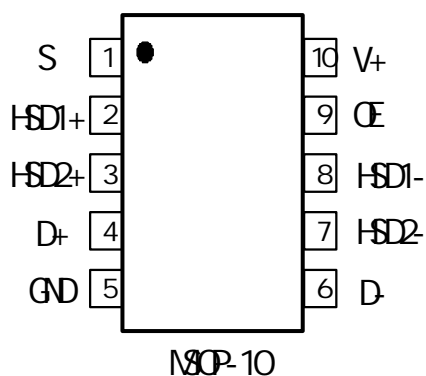


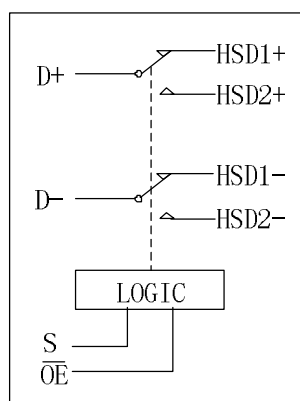
高速 USB2.0 双刀双掷模拟开关

- 1) 3V
- 2) 50ps
- 3) +1.8V +4.3V
- 4) 10ns 22ns
- 5) 250MHz -41dB
- 6) V+=0V D+/D- 5.25V
- 7) 250MHz -41dB
- 8)
- 9)
- 10) MSOP-10 QFNWB



MSUSB30	MSOP-10	MSUSB30
MSUSB30N	QFNWB	7222

NSOP-10	CFWB		
10	9	V+	
5	4	GND	
1	10	S	
9	9	CE	
2, 3, 8, 7, 4, 6	1 2 6 7 3 5	HSD1+, HSD2+, HSD1-, HSD2-, D+, D-	



CE	S	HSD1+	HSD1-	HSD2+	HSD2-
0	0				
0	1				
1	X				

-0V +4.6V
 -0V +4.6V
 ± 100mA
 ± 100mA

ESD (, 10s)

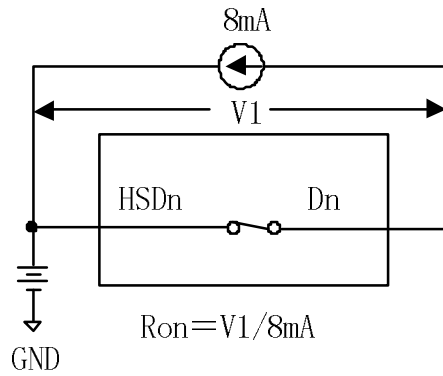
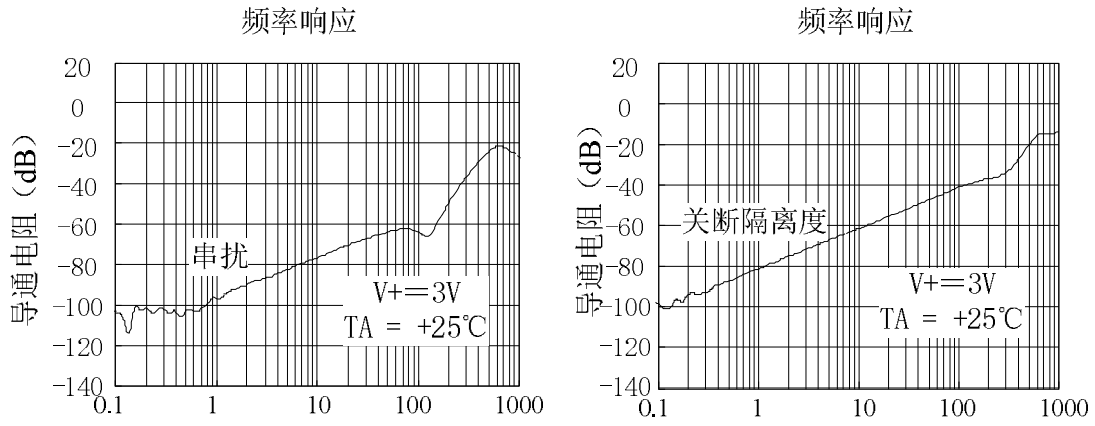
-40 +85
 +150
 -65 +150
 +260

4000V
 400V

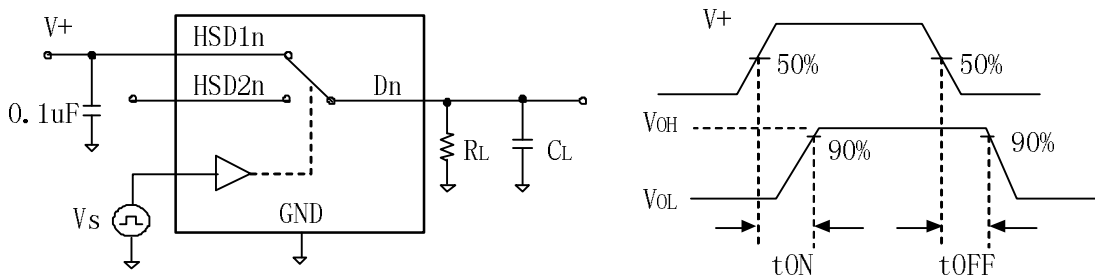
($V_{+} = +1.8V$, $+4.3V$, $GND = 0V$, $V_{IH} = +1.6V$, $V_{IL} = +0.5V$, $T_A = -40$ + 85
 $V_{+} = +3.3V$, $T_A = +25$,)

			0 85				
			0 85				
			0 85				
			0 85				
			0 85				
			0 85				
			0 85				
			0 85				

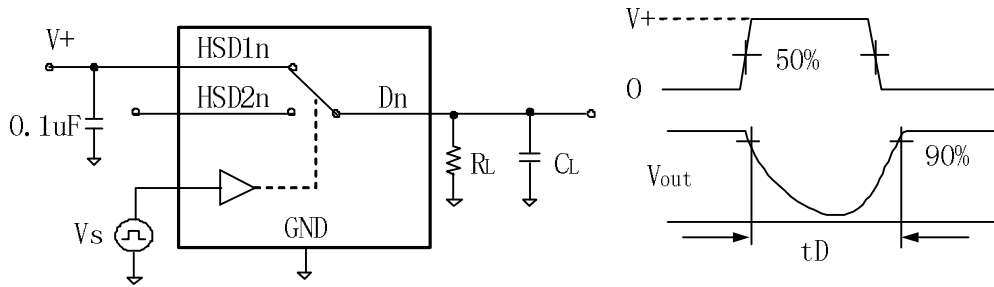
			0 85				
			0 85				
			0 85				
			0 85				
			0 85				



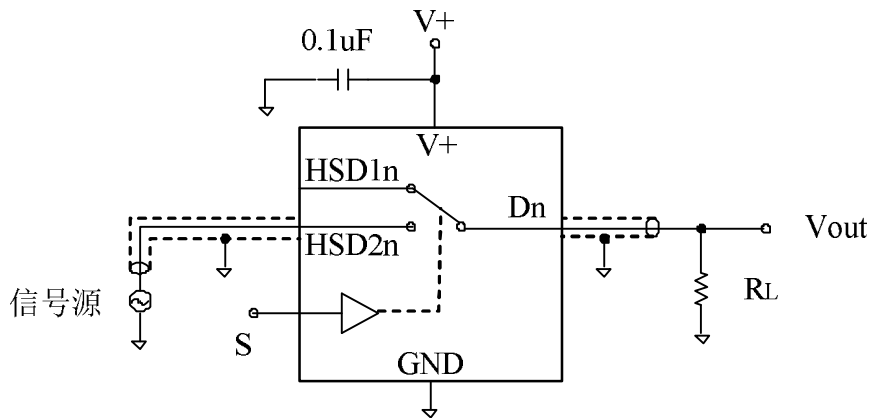
测试电路1. 导通电阻



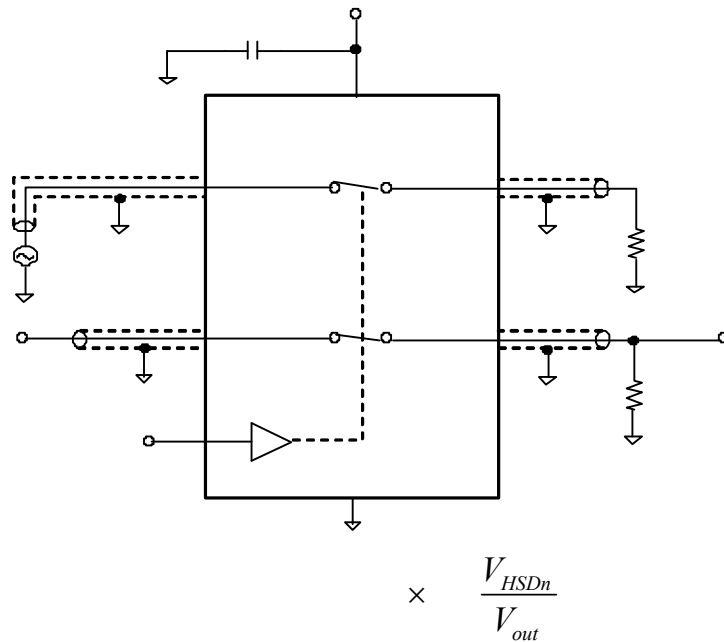
测试电路2. 开关时间

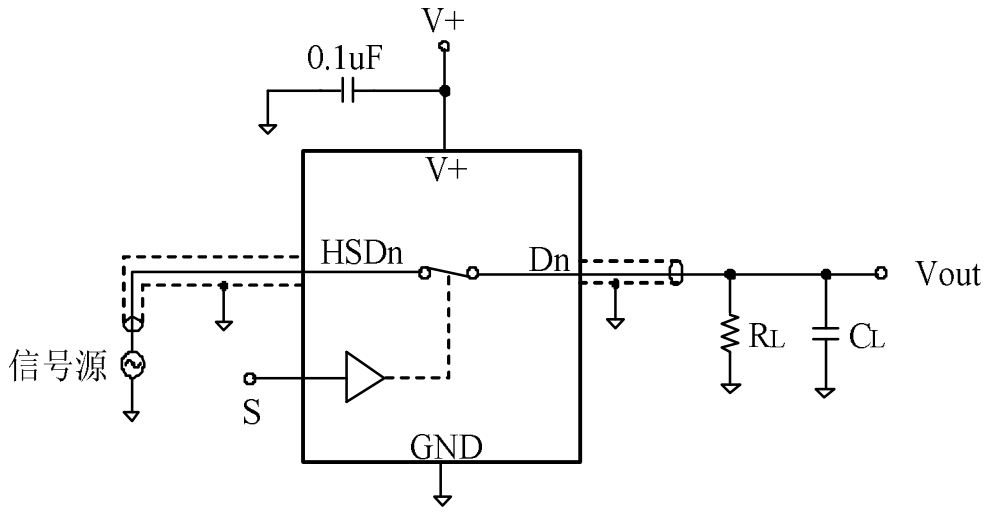


测试电路3. 先断后通时间tD

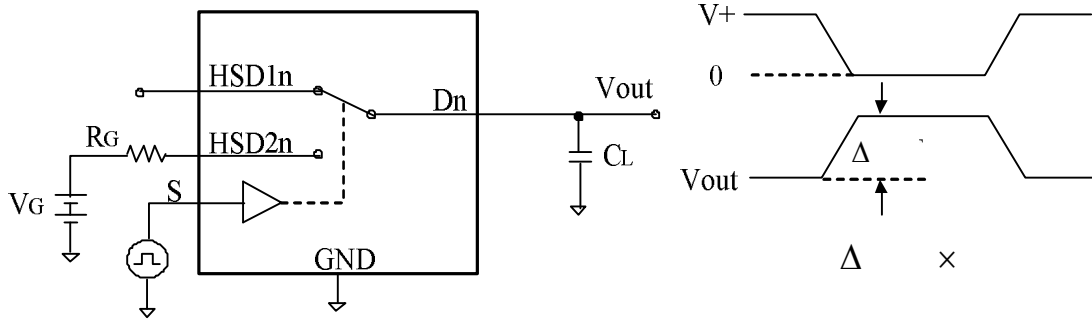


测试电路4. 关断隔离度





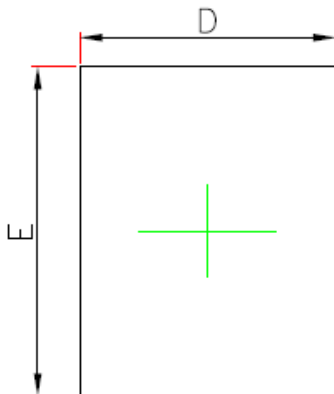
测试电路6. -3dB带宽



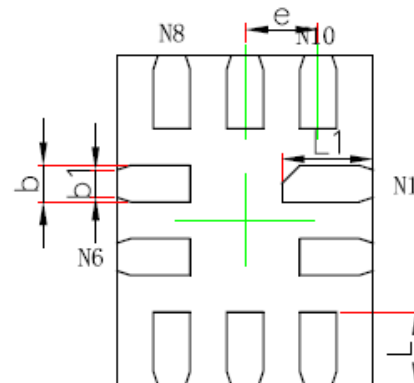
测试电路7. 电荷注入 (Q)

- 1) USB 2.0 Vbus
 USB 2.0 7.1.1 USB
 Vbus D+ D- MSUSB30
- 2) Vbus 24 MSUSB30
 D+ D-
- 3) USB 2.0 USB Vbus
 VCC
 5.25V

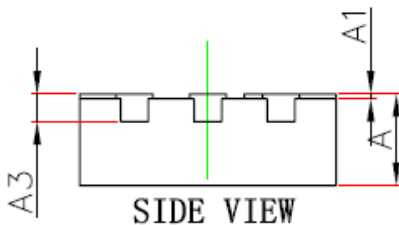
CFMVB



TOP VIEW



BOTTOM VIEW



SIDE VIEW

Symbol	Dimensions In Millimeters		Dimensions In Inches	
	Min.	Max.	Min.	Max.
A	0.550	0.650	0.022	0.026
A1	0.000	0.050	0.000	0.002
A3	0.152REF.		0.006REF.	
D	1.350	1.450	0.053	0.057
E	1.750	1.850	0.069	0.073
D1	—	—	—	—
E1	—	—	—	—
k	—		—	
b	0.150	0.250	0.006	0.010
b1	0.100	0.200	0.004	0.008
e	0.400TYP.		0.016TYP.	
L	0.350	0.450	0.014	0.018
L1	0.450	0.550	0.018	0.022